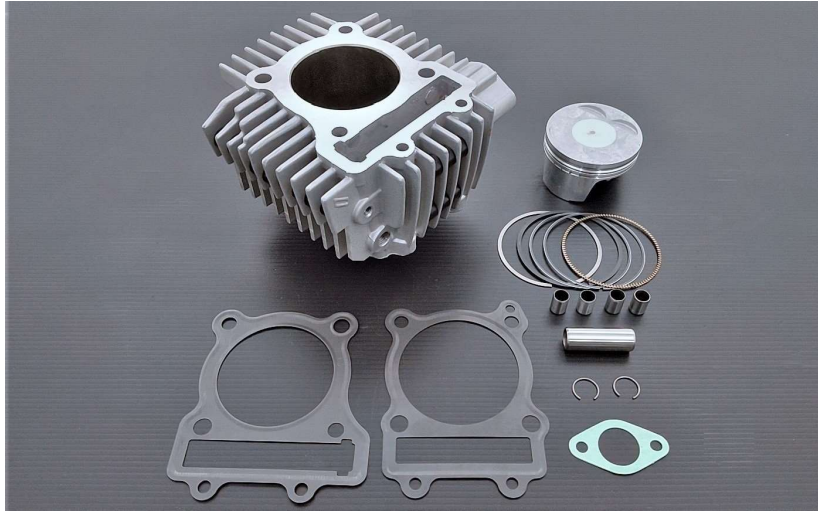


**UPGRADE PARTS**

**DRESS-UP PARTS**

**TOOLS  
& MAINTENANCE**





**#80117**

## **BORE-UP KIT 212cc**

**for ANIMA190FE (E-start model)**

★Attention: This kit is for only ANIMA F E-start model.

●Components

- #80116 \*1 CYLINDER BLOCK 66mm, for ANIMA190FE
- #87976 \*1 PISTON 66MM
- #87977 \*1 PISTON RING COMP,66MM
- #87978 \*1 PIN, PISTON L=39
- #86453 \*2 CHECK RING, PISTON PIN
- #89458 \*1 GASKET,CYLINDER BLOCK 715
- #86440 \*1 GASKET,CYLINDER HEAD
- #83720 \*4 LOCATING DOWEL 10X14
- #86439 \*1 GASKET,TENSIONER



**#88011**

## **BORE-UP KIT 212cc**

**for ANIMA190FD/FDX/FLX/FSM/FDS**

★Attention: Not available for S-series and E-Start model.

●Components

- #87975 \*1 CYLINDER BLOCK 66mm
- #87976 \*1 PISTON 66MM
- #87977 \*1 PISTON RING COMP,66MM
- #87978 \*1 PIN, PISTON L=39
- #86453 \*2 CHECK RING, PISTON PIN
- #89458 \*1 GASKET,CYLINDER BLOCK 715
- #86440 \*1 GASKET,CYLINDER HEAD
- #83720 \*4 LOCATING DOWEL 10X14
- #86439 \*1 GASKET,TENSIONER



**#80119**

## **FORGED PISTON KIT, for ANIMA 150F**

- Lightweight & reinforced piston
- Fits Anima 150F
- 62mm forged piston
- With DLC coated piston pin

**#80120**

## **FORGED PISTON KIT, for ANIMA 190F**

- Lightweight & reinforced piston
- Fits Anima 190F
- 62mm forged piston
- With DLC coated piston pin

**#88888**

## **FORGED PISTON KIT, HIGH-COMP for 212CC**

- Lightweight & reinforced piston
- Fits Anima 212cc bore-up
- 66mm forged piston
- With DLC coated piston pin
- Compression ratio : 12.3:1

**#85043**

## **CAST PISTON HI-COMP for 150cc 2Valve**

- Fits Anima 150cc 2-valve engine
- ★ Attention: only for 2 valve 150cc
- Compression ratio : 13.8:1  
(Std piston #84361 12.5:1)
- Please use with  
#84397 piston ring together

# UPGRADE PARTS



**#89874 without hole**



**#88824 with hole**

for Negative pressure  
Hole size M10\*P1.25

## TEIKEI MV-33 CARB KIT

- All-in one kit for replace MV-33 carb kit.
- Wide range of tolerance and easy to set up.
- Basically, ANIMA190 / 212 riders don't need to change the jet setting.



**#88859 THROTTLE WIRE**  
1500MM 6X6



**#88860 WIRE ADJUST BOLT**



**#88861 CABLE END SET**



**#80018**

## **INTAKE MANIFOLD SET PE28 without hole**

- Fits with KEIHIN PE28 Carburetor

- Intake manifold : without hole



**#88253**

## **INTAKE MANIFOLD SET PE28 with hole**

- Fits with KEIHIN PE28 Carburetor

- Intake manifold : with hole  
for Negative pressure .

M10\*P1.25



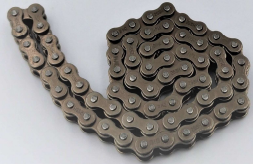
**#80020**

## **INTAKE MANIFOLD SET PWK33 without hole**

- Fits with KEIHIN PWK Carburetor

- Intake manifold : without hole





**#87577**

## **DID CAM CHAIN 94L for ANIMA F&S Series**

- Fits Anima F&S engines  
(150/160/190F & 190S)
- Smooth operation and durability.
- 94 links
- Made by DID Japan
- Made in Japan

**#89522**

## **DID STARTER CHAIN 66L for ANIMA FE**

- Fits Only Anima FE  
(E-start model).
- Smooth operation and durability.
- 66 links
- Made by DID Japan
- Made in Japan

**#87583**

## **SOLID ROCKER ARM KIT for ANIMA F&S Series**

- Fits Anima F&S engines  
(150/160/190F & 190S)
- Lightweight rocker arm kit with  
Special surface treated camshaft.

**#87235**

## **OUTER ROTOR KIT for ANIMA F&S Series**

- Fits Anima F&S engines  
(150/160/190F & 190S)
- ★Attention:  
Kit does not capable E-start.
- Lightweight outer rotor kit  
for sharp engine response.
- Kit rotor weight 610g
  - OEM Small rotor :625g
  - OEM Big rotor :745g
- Charge coil output 45W/6000rpm
- Selectable full digital CDI



**#80659**

## CNC CLUTCH CABLE GUIDE for ANIMA F&S Series

- CNC Machined Clutch Cable Guide
- Fits Anima F&S engines (150/160/190F & 190S)
- Designed according to the direction of rotation of the clutch lever.



**#84749**

## F.C.C. REINFORCED CLUTCH FRICTION DISC

- Reinforced clutch friction disc
- Contain 1pcs
- Fits Anima F&S engines (150/160/190F & 190S)
- Made by F.C.C. Japan
- ★ Attention: Contains 1 piece .

**#75252**

## CARBURETOR PIN CLEANER (10SIZE/SET)

- Narrow brush set for jet cleaning.
- 10 brushes from  $\phi 0.4$  to  $\phi 1.6$ mm.
- Sizes  
0.40 / 0.45 / 0.50 / 0.55 / 0.60 / 0.65 / 0.80 / 1.0 / 1.2 / 1.6mm



**#15614**

## CARBURETOR CLEANING BRUSHES (5PCS)

- Narrow brush set for carburetor cleaning.
- Includes 5 brushes from  $\phi 2.5$  to  $\phi 6.5$ mm.
- Sizes  
 $\phi 2.5$  / 3.5 / 4.5 / 5.5 / 6.5mm





**#80221**

## CLUTCH LOCK NUT TOOL 1/2"SQ.DR.

- Special tool for ANIMA F&S series clutch lock nut.
- Could be use 1/2 size impact & handle.
- Made in Japan.



**#36469**

## FLYWHEEL ,F-SPROCKET REMOVER

- Special tool for remove Flywheel , or Front-sprocket
- Pitch : 42 ~ 142mm
- Pin head size :  $\phi 5.5$  &  $\phi 11$



**#44686**

## FLYWHEEL PULLER

- 2way puller for remove flywheel.  
---M27\*P1.0 reverse-thread screw  
---M24\*P1.0 right-thread screw



**#93751**

## MAGNET DRAIN BOLT M12-P1.5

- Oil drain bolt with neodymium magnet.
- It catches metal contaminants in your engine oil.
- With safety wire hole.







#34359

## SNAP RING PLIERS (4 JAWS)

- 8-in-1 pliers with 4 different jaws.
- Includes 2angle, 2tip size jaws.  
---Angle : 45° / 90 °  
---Tip size : φ1.2 / φ1.5



#44325

## THICKNESS GAUGE SET (25 PCS) 0.04mm-1.00mm

- Includes 25 leaves from 0.04 to 1.00mm.
- Thickness  
0.04 / 0.05 / 0.06 / 0.07 / 0.08 /  
0.09 / 0.1 / 0.15 / 0.2 / 0.25 /  
0.3 / 0.35 / 0.4 / 0.45 / 0.5 /  
0.55 / 0.6 / 0.65 / 0.7 / 0.75 /  
0.8 / 0.85 / 0.9 / 0.95 / 1.0mm



#32410

## TAPPET ADJUST WRENCH 8mm & 9mm reversible

- Special tool for adjust valve clearance
- Reversible design 8mm & 9mm.



#71626

## 3WAY CIRCLIP PLIERS

- 3-in-1 pliers with 3 different angles.
- Not necessary to adjust jaws.



# DRESS-UP PARTS

**DAYTONA**  
デイトナ



## CNC STRAINER COVER for ANIMA F&S Series

- ★Attention: This cover does not fit Anima FE(E-start model).
- Fits Anima F&S engines (150/160/190F & 190S) excludes FE engine.
- CNC machined aluminum cover
- With laser printed "DAYTONA" logo.
- Kit includes O-ring.



**#80387 Blue**



**#80384 Black**



**#80385 Red**



**#80386 Orange**



**#80388 Green**



# DRESS-UP PARTS

**DAYTONA**  
DAYTONA



**#80389 Black**



**#80390 Red**



## CNC OIL FILTER COVER for ANIMA F&S Series

- Fits Anima F&S engines (150/160/190F & 190S)
- CNC machined aluminum cover.
- With laser printed "DAYTONA" logo.
- Kit includes O-ring.



**#80391 Orange**



**#80392 Blue**



**#80393 Green**



# DRESS-UP PARTS

**DAYTONA**  
DAYTONA



## CNC OIL FILLER CAP for ANIMA F&S Series

- Fits Anima F&S engines (150/160/190F & 190S)
- CNC machined aluminum oil filler cap.
- With laser printed "DAYTONA" logo.
- Kit includes O-ring.



**#80395 Red**



**#80394 Black**



**#80397 Blue**



**#80396 Orange**



**#80398 Green**



# DRESS-UP PARTS

**DAYTONA**  
デイトナ



## CNC TAPPET COVER SET for ANIMA 2 Valve 150cc

- Fits Anima 150cc 2-valve engine.
- ★ Attention:  
only for Anima 2 valve 150cc engine.
- CNC machined aluminum tappet cover.
- With laser printed "DAYTONA" logo.
- Kit includes O-ring.



**#80657 without BREATHER**



**#80658 with BREATHER 8MM**