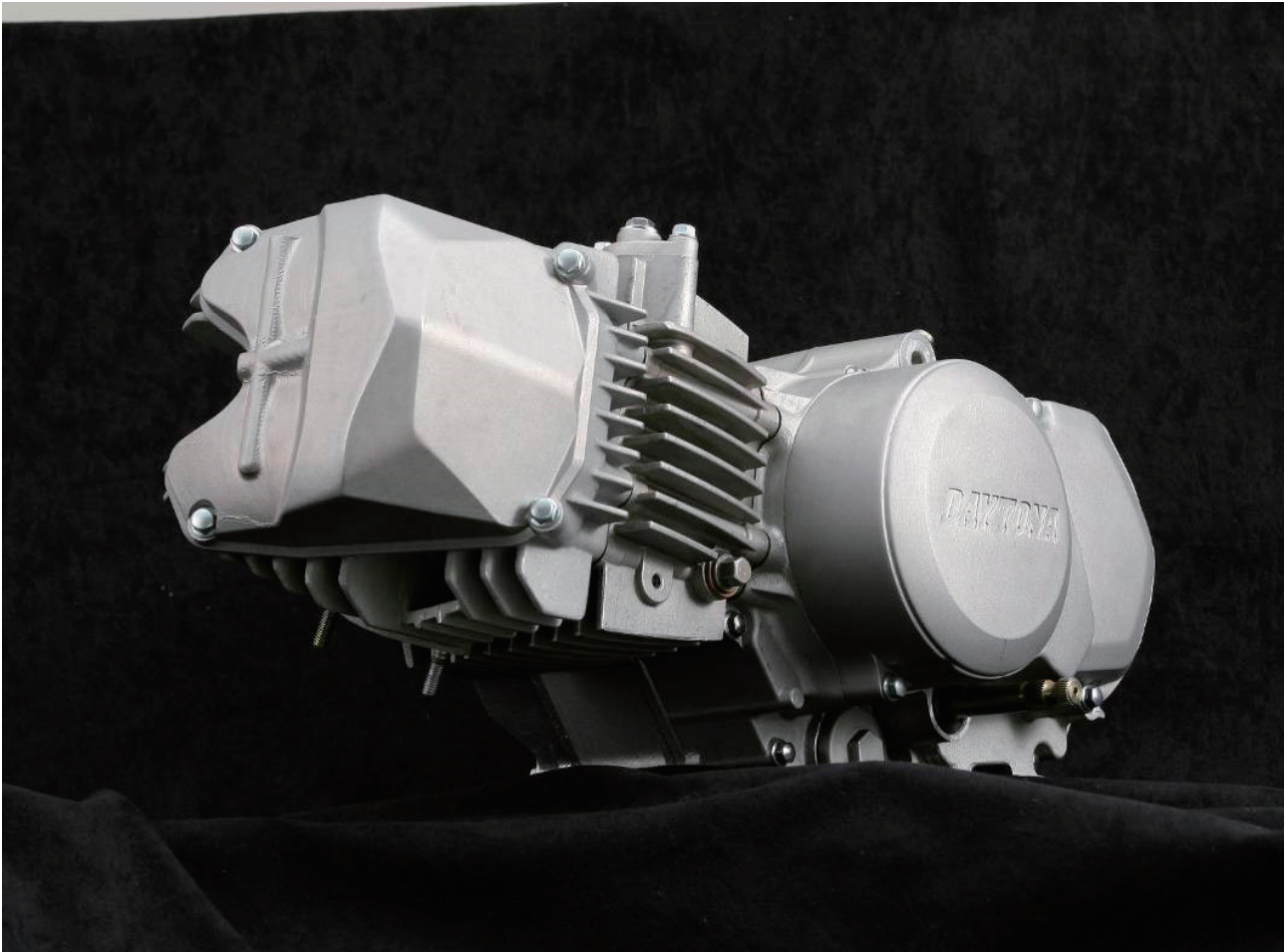


DAYTONA

ANIMA ENGINE

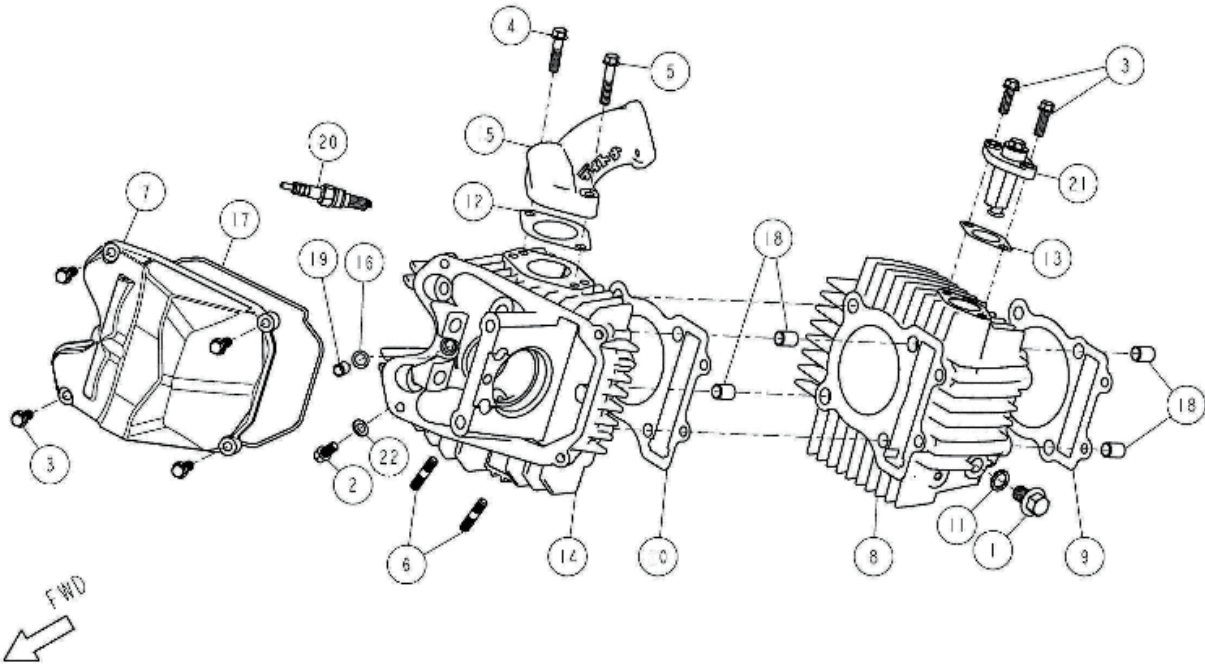
PARTS LIST

ENGINE NUMBER : ~3146600000



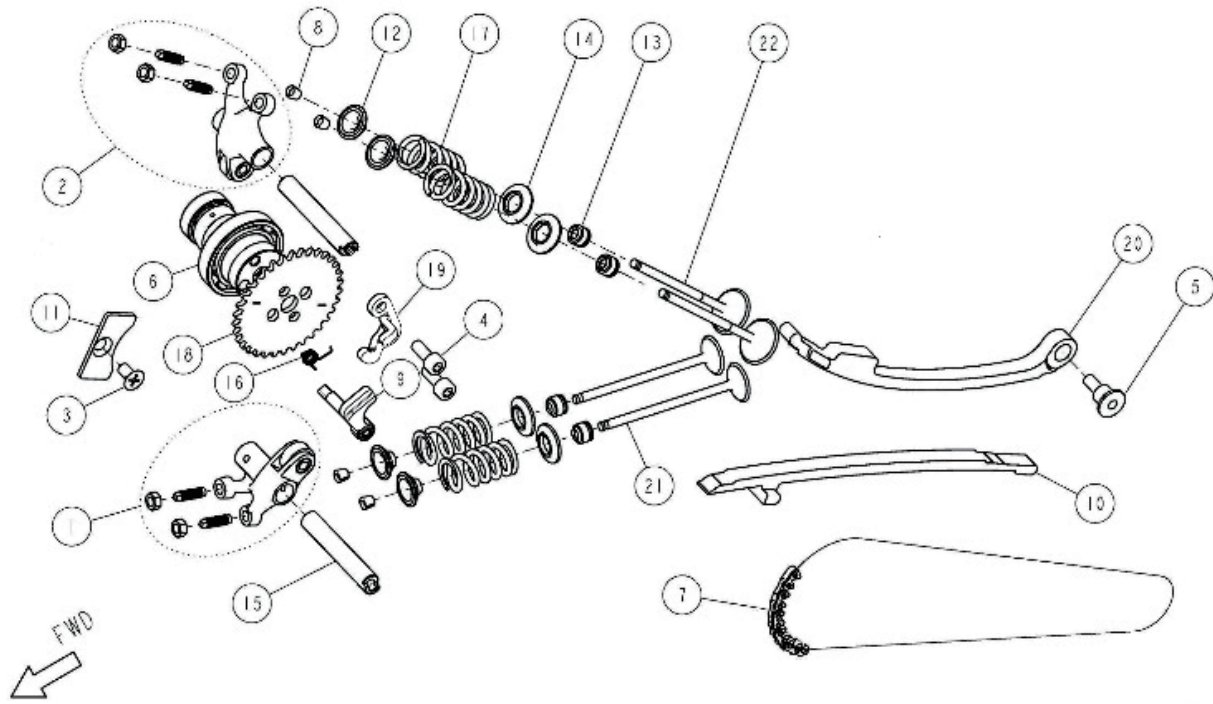
DAYTONA

HEAD / CYLINDER



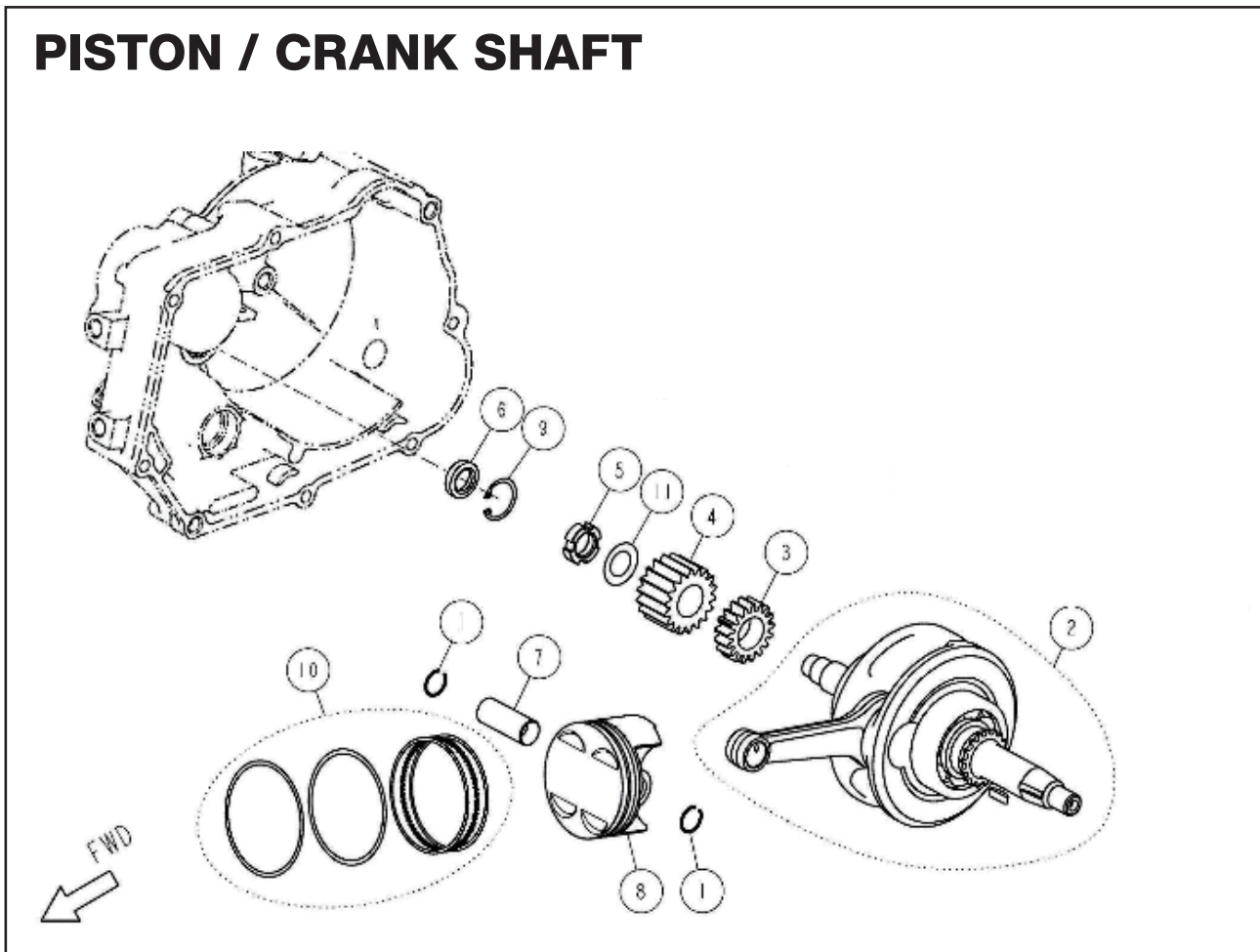
Ref No.	150FSM 4 SPEED	190FSM 4 SPEED	190FS5 5 SPEED	190FZ5 5 SPEED	190FE w/e-start	Part No.	DESCRIPTION	QTY
1	●	●	●	●	●	86448	BOLT, HEXAGON FLANGE M10x16	1
2	●	●	●	●	●	85877	BOLT, HEXAGON FLANGE M6x12	1
3	●	●	●	●	●	86468	BOLT, HEXAGON FLANGE M6x18	6
4	●	●	●	●	●	86466	BOLT, HEXAGON FLANGE M6x25	1
5	●	●	●	●	●	86471	BOLT, HEXAGON FLANGE M6x30	1
6	●	●	●	●	●	83703	BOLT, STUD M6x32	2
7	●	●	●			86367	COVER, CYLINDER HEAD	1
7				●	●	88250	COVER, CYLINDER HEAD, BLACK	1
8					●	89237	CYLINDER	1
8	●	●	●	●		86366	CYLINDER	1
9	●	●	●	●	●	86436	GASKET, BASE CYLINDER	1
10	●	●	●	●	●	86440	GASKET, HEAD CYLINDER	1
11	●	●	●	●	●	86476	GASKET, M10	1
12	●	●	●	●	●	86405	GASKET, MANIFOLD	1
13	●	●	●	●	●	86439	GASKET, TANSIONER CAM CHAIN	1
14	●	●	●	●	●	86368	HEAD, CYLINDER	1
15	●	●	●	●	●	86404	MANIFOLD, INTAKE	1
16	●	●	●	●	●	86479	O-RING	1
17	●	●	●	●	●	86434	O-RING, COVER HEAD	1
18	●	●	●	●	●	83720	PIN, DOWEL $\phi 10 \times \phi 8.4 \times 14$	4
19	●	●	●	●	●	83747	PIN, DOWEL $\phi 8 \times \phi 6.3 \times 12$	1
20						86429	SPARK PLUG ER9EH-6N	1
20	●	●	●	●	●	87008	SPARK PLUG ER9EH	1
21	●	●	●	●	●	86396	TENSIONER, CAM CHAIN COMP	1
22	●	●	●	●	●	86456	WASHER, $\phi 6.3 \times \phi 12 \times 1.5$	1

VALVE MECHANISM



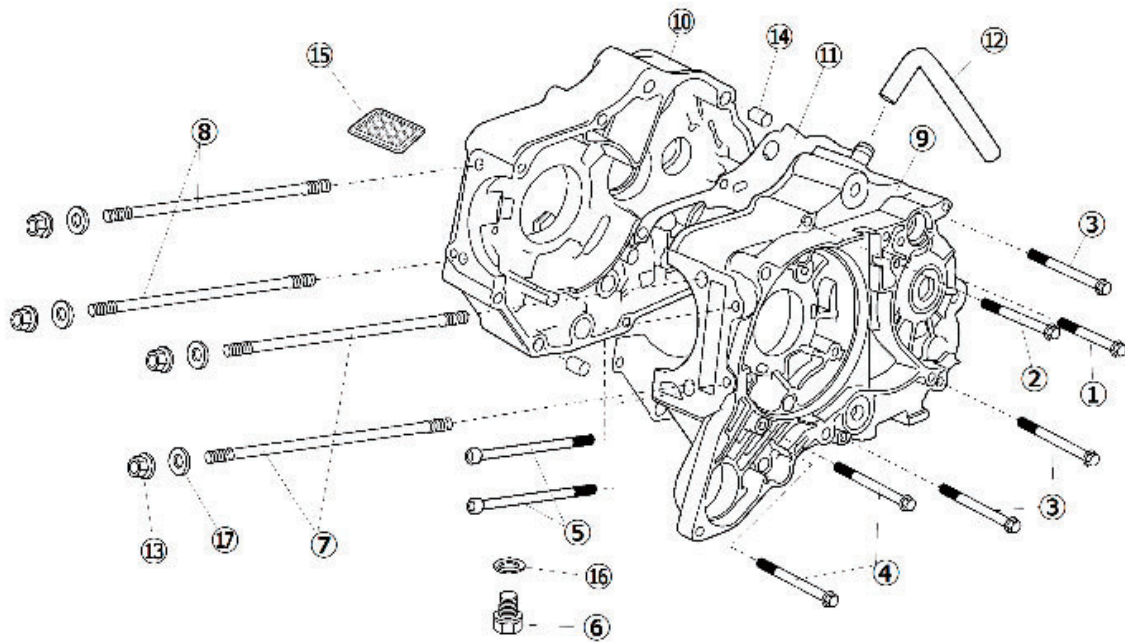
Ref No.	150FSM 4 SPEED	190FSM 4 SPEED	190FS5 5 SPEED	190FZ5 5 SPEED	190FE w/e-start	Part No.	DESCRIPTION	QTY
1	●	●	●	●	●	86481	ARM, ROCKER ROLLER EXHAUST COMP	1
2	●	●	●	●	●	86393	ARM, ROCKER ROLLER INTAKE COMP	1
3	●	●	●	●	●	86460	BOLT, COUNTERSINK M6x15	1
4	●	●	●	●	●	86883	SCREW M6X16	2
5	●	●	●	●	●	86447	BOLT, TENSIONER	1
6				●	●	87347	CAMSHAFT 00 ROLLER DECOMP ASM	1
6		●	●			86878	CAMSHAFT 240° ROLLER DECOMP ASM	1
6	●					87163	CAMSHAFT COMP. 150CC	1
7	●	●	●	●	●	86391	CHAIN, CAMSHAFT DRIVE	1
8	●	●	●	●	●	86402	COTTER, VALVE	8
9	●	●	●	●	●	89681	SHAFT W/WEIGHT,DECOMP. VER3	1
10	●	●	●	●	●	86395	GUIDE , CHAIN CAMSHAFT	1
11	●	●	●	●	●	86389	PLATE, STOPPER CAM	1
12	●	●	●	●	●	86400	RETAINER, SPRING VALVE	4
13	●	●	●	●	●	86403	SEAL, VALVE STEM ϕ 4.5	4
14	●	●	●	●	●	86401	SEAT, SPRING VALVE	4
15	●	●	●	●	●	86392	SHAFT, ROCKER	2
16	●	●	●	●	●	87621	SPRING, RETURN DECOMP. VER2	1
17	●	●	●	●	●	87343	SPRING, VALVE PLAN-G	4
18	●	●	●	●	●	86879	SPROCKET, CAMSHAFT DRIVEN	1
19	●	●	●	●	●	87620	PLATE, STOPPER DECOMP. VER2	1
20	●	●	●	●	●	86394	TENSIONER, CAM CHAIN	1
21	●	●	●	●	●	86623	VALVE, EXHAUST ϕ 21	2
22	●	●	●	●	●	86397	VALVE, INTAKE ϕ 24.5	2

PISTON / CRANK SHAFT



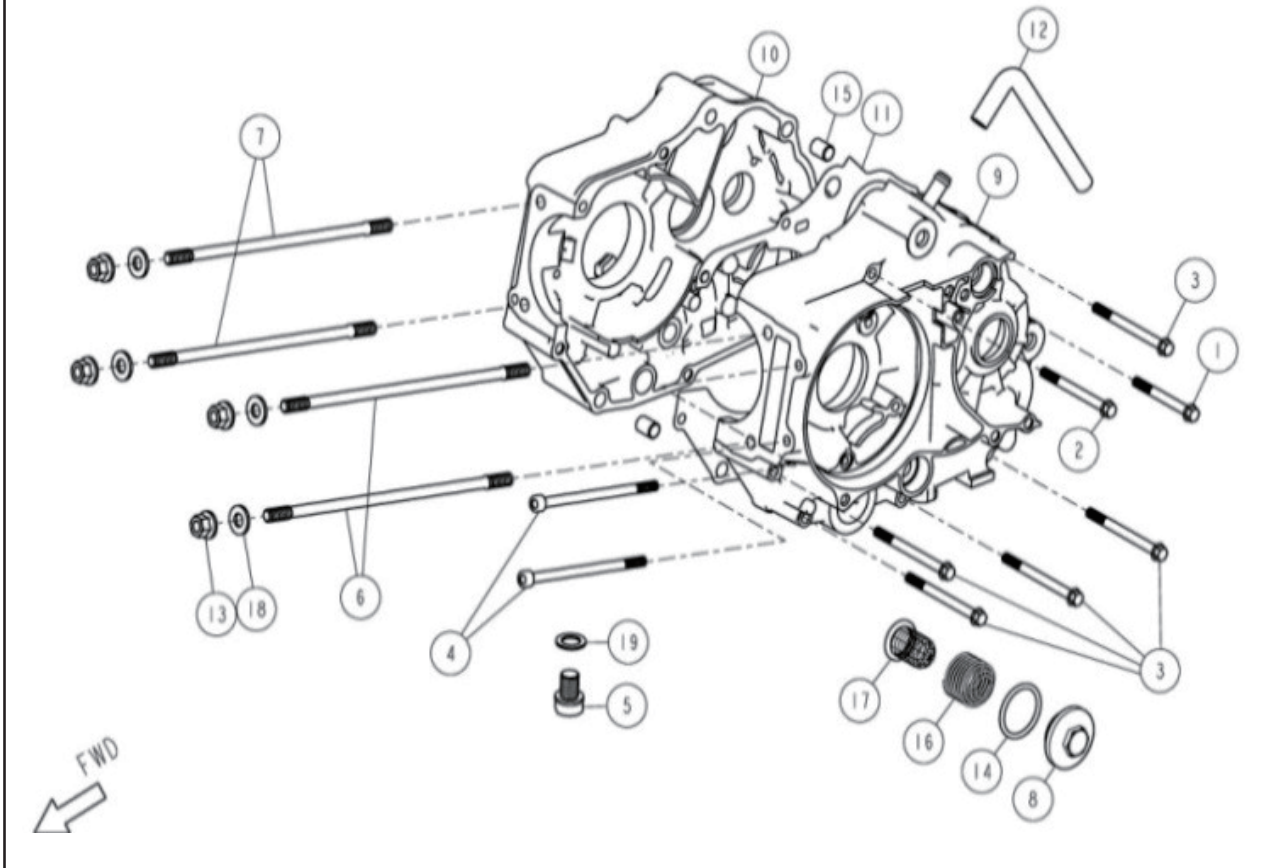
Ref No.	150FSM 4 SPEED	190FSM 4 SPEED	190FS5 5 SPEED	190FZ5 5 SPEED	190FE w/e-start	Part No.	DESCRIPTION	QTY
1	●	●	●	●	●	86453	CLIP, PIN PISTON	2
2					●	88421	CRANK SHAFT ASSY DT190FE	1
2		●	●	●		89144	CRANKSHAFT CONNECTING-ROD, 190-5SP	1
2	●					86620	CRANKSHAFT CONNECTING-ROD, 190-4SP	1
2	●					86381	CRANKSHAFT CONNECTING-ROD, 150-4SP	1
3	●	●	●	●	●	86383	GEAR, OIL PUMP DRIVE	1
4	●	●	●	●	●	86415	GEAR, PRIMARY DRIVE	1
5	●	●	●	●	●	83768	NUT, SMALL M14	1
6	●	●	●	●	●	86443	OIL SEAL, $\phi 12 \times \phi 20 \times 5t$	1
7	●	●	●	●	●	86379	PIN, PISTON $\phi 14$	1
8		●	●	●	●	86621	PISTON, 190CC	1
8	●					86378	PISTON, 150CC	1
9	●	●	●	●	●	86462	RETAINING RING, RTWN22	1
10	●	●	●	●	●	86380	RING SET, PISTON	1
11	●	●	●	●	●	86411	WASHER, SPRING	1
OP						87353	TIMING DRIVEN SPROCKET	1

CRANKCASE



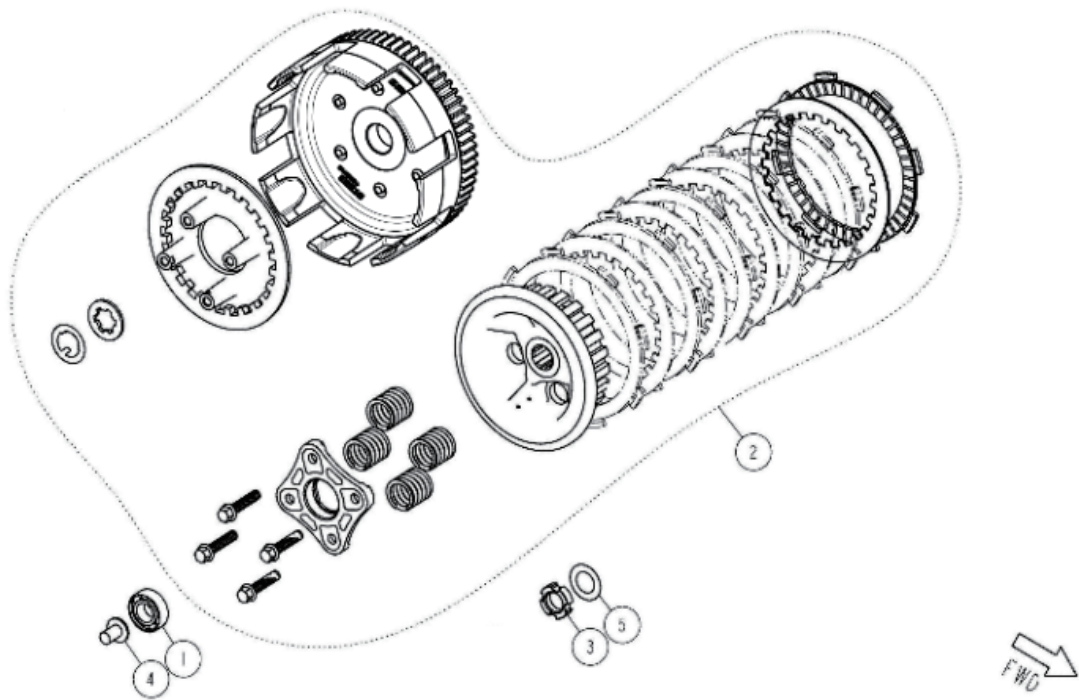
Ref No.	150FSM 4 SPEED	190FSM 4 SPEED	190FS5 5 SPEED	190FZ5 5 SPEED	190FE w/e-start	Part No.	DESCRIPTION	QTY
1					●	86474	BOLT, HEXAGON FLANGE M6x55	1
2					●	83761	BOLT, HEXAGON FLANGE M6x65	1
3					●	86360	BOLT, HEXAGON FLANGE M6x70	3
4					●	88864	BOLT, HEXAGON FLANGE M6x80	2
5					●	86459	BOLT, HEXAGON SOCKET M6x108	2
6					●	83755	BOLT, OIL DRAIN M12x15	1
7					●	86444	BOLT, STUD A	2
8					●	86445	BOLT, STUD B	2
9					●	88847	CRANKCASE, LH ANIMA FE	1
10					●	88848	CRANKCASE, RH ANIMA FE	1
11					●	86438	GASKET, CRANKCASE	1
12					●	86371	HOSE, BREATHER	1
13					●	86451	NUT FLANGE, M8	4
14					●	83720	PIN, DOWEL $\phi 10 \times \phi 8.4 \times 14$	2
15					●	83751	OIL FILTER SCREEN	1
16					●	83754	WASHER, OIL DRAIN M12	1
17					●	86457	WASHER, GASKET M8	4
					●	88870	BOLT, M6X12	1
					●	88871	PLATE, START CLUTCH	1

CRANKCASE



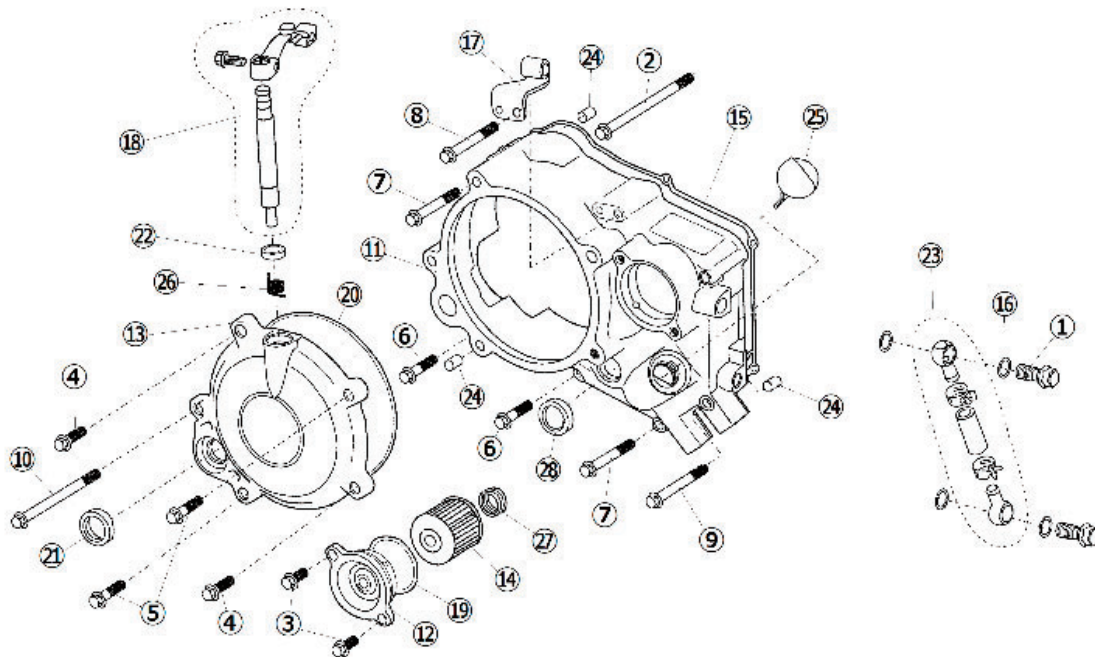
Ref No.	150FSM 4 SPEED	190FSM 4 SPEED	190FS5 5 SPEED	190FZ5 5 SPEED	190FE w/e-start	Part No.	DESCRIPTION	QTY
1	●	●	●	●		86474	BOLT, HEXAGON FLANGE M6x55	1
2	●	●	●	●		83761	BOLT, HEXAGON FLANGE M6x65	1
3	●	●	●	●		86360	BOLT, HEXAGON FLANGE M6x70	5
4	●	●	●	●		86459	BOLT, HEXAGON SOCKET M6x108	2
5	●	●	●	●		83755	BOLT, OIL DRAIN M12x15	1
6	●	●	●	●		86444	BOLT, STUD A	2
7	●	●	●	●		86445	BOLT, STUD B	2
8	●	●	●	●		86369	COVER, STRAINER OIL	1
9			●	●		89143	CRANK CASE, LH	1
9	●	●				86370	CRANK CASE, LH	1
10			●	●		88848	CRANK CASE, RH	1
10	●	●				86884	CRANK CASE, RH	1
11	●	●	●	●		86438	GASKET, CRANKCASE	1
12	●	●	●	●		86371	HOSE, BREATHER	1
13	●	●	●	●		86451	NUT FLANGE, M8	4
14	●	●	●	●		86433	O-RING, $\phi 30 \times \phi 3$	1
15	●	●	●	●		83720	PIN, DOWEL $\phi 10 \times \phi 8.4 \times 14$	2
16	●	●	●	●		86385	SPRING, STRAINER	1
17	●	●	●	●		86387	STRAINER, OIL	1
18	●	●	●	●		86457	WASHER, GASKET M8	4
19	●	●	●	●		83754	WASHER, OIL DRAIN M12	1

CLUTCH



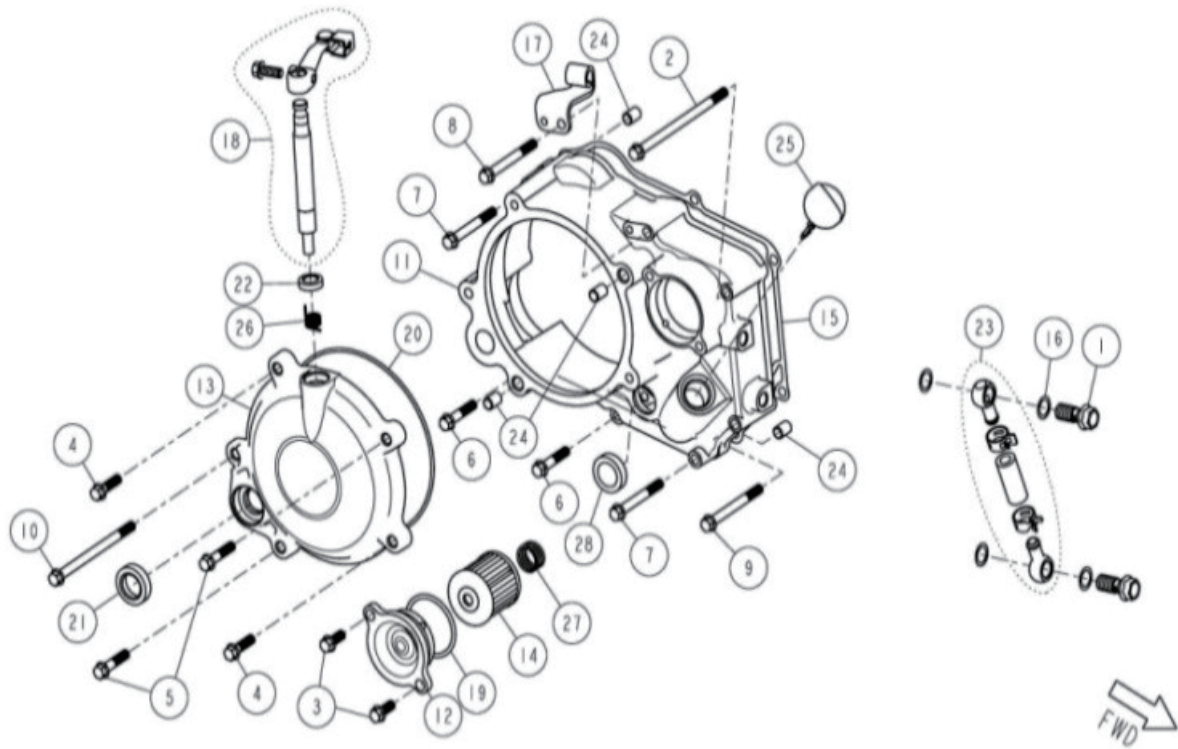
Ref No.	150FSM 4 SPEED	190FSM 4 SPEED	190FS5 5 SPEED	190FZ5 5 SPEED	190FE w/e-start	Part No.	DESCRIPTION	QTY
1	●	●	●	●	●	83786	BEARING, #6000	1
2	●	●	●	●	●	87619	CLUTCH COMP, W/FORGED GEAR	1
3	●	●	●	●	●	83768	NUT, SMALL M14	1
4	●	●	●	●	●	83787	PIN, LIFTER CLUTCH	1
5	●	●	●	●	●	86410	WASHER, SPRING $\phi 24 \times \phi 14.2 \times 1.2$	1

COVER CLUTCH



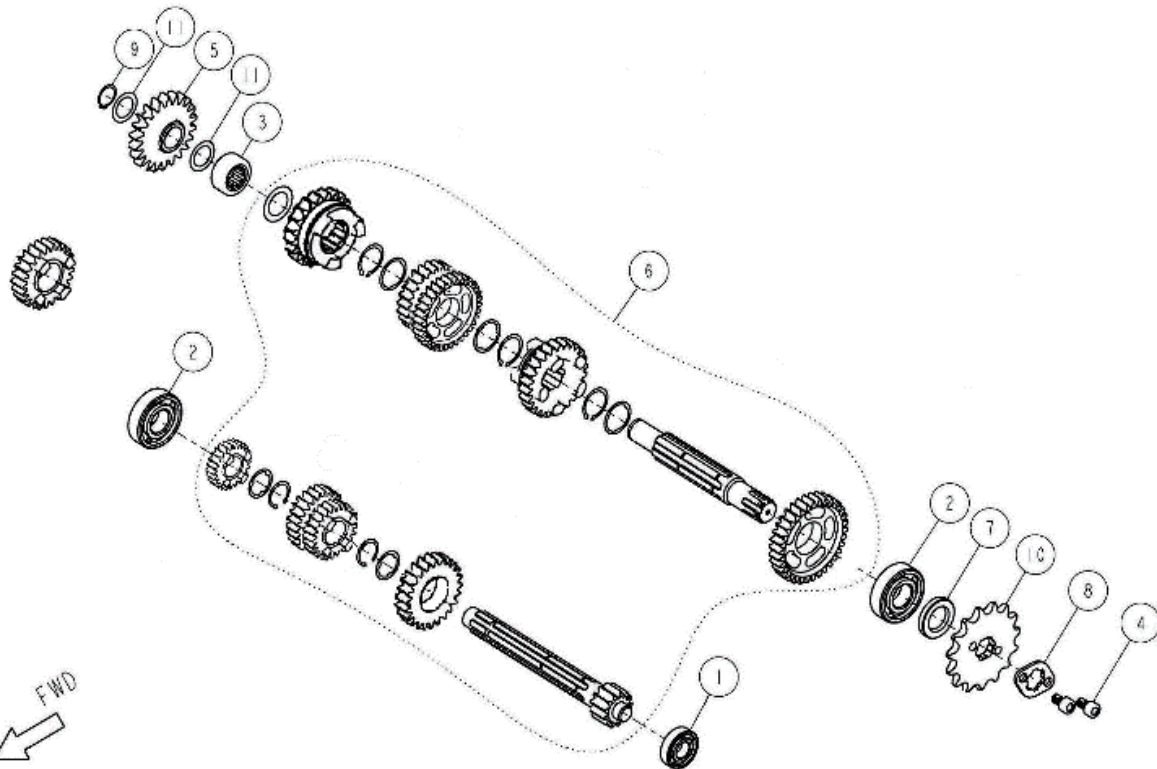
Ref No.	150FSM 4 SPEED	190FSM 4 SPEED	190FS5 5 SPEED	190FZ5 5 SPEED	190FE w/e-start	Part No.	DESCRIPTION	QTY
1	●	●	●	●	●	86446	BOLT, BANJO M10x22.5	2
2	●	●	●	●	●	88862	BOLT, HEXAGON FLANGE M6x115	1
3	●	●	●	●	●	86486	BOLT, HEXAGON FLANGE M6x15	2
4	●	●	●	●	●	86469	BOLT, HEXAGON FLANGE M6x22	2
5	●	●	●	●	●	86485	BOLT, HEXAGON FLANGE M6x28	2
6	●	●	●	●	●	86471	BOLT, HEXAGON FLANGE M6x30	2
7	●	●	●	●	●	86473	BOLT, HEXAGON FLANGE M6x50	2
8	●	●	●	●	●	86474	BOLT, HEXAGON FLANGE M6x55	1
9	●	●	●	●	●	83759	BOLT, HEXAGON FLANGE M6x60	1
10	●	●	●	●	●	86361	BOLT, HEXAGON FLANGE M6x90	1
11					●	88863	COVER, CLUTCH	1
11	●	●	●	●		86376	COVER, CLUTCH	1
12	●	●	●	●	●	86374	COVER, OIL FILTER	1
13	●	●	●	●	●	86377	COVER, SMALL CLUTCH	1
14	●	●	●	●	●	86384	FILTER, OIL	1
15	●	●	●	●	●	86437	GASKET, COVER CLUTCH	1
16	●	●	●	●	●	86476	GASKET, M10	4
17	●	●	●	●	●	86412	HOLDER, CABLE CLUTCH	1
18	●	●	●	●	●	86414	LEVER, CLUTCH COMP	1
19	●	●	●	●	●	86432	O-RING, $\phi 38.6 \times 2.6$	1
20	●	●	●	●	●	86435	O-RING, COVER SMALL CLUTCH	1
21	●	●	●	●	●	86441	OIL SEAL, $\phi 16 \times \phi 26 \times 7$	1
22	●	●	●	●	●	86442	OIL SEAL, $\phi 17 \times \phi 10 \times 5$	1
23	●	●	●	●	●	86406	OIL THROUGH COMP	2
24	●	●	●	●	●	83747	PIN, DOWEL $\phi 8 \times \phi 6.3 \times 12$	4
25	●	●	●	●	●	86386	RULER	1
26	●	●	●	●	●	86413	SPRING, LEVER CLUTCH	1
27	●	●	●	●	●	86375	SPRING, OIL FILTER	1
28	●	●	●	●	●	86475	WINDOW, OIL LEVEL	1

COVER CLUTCH



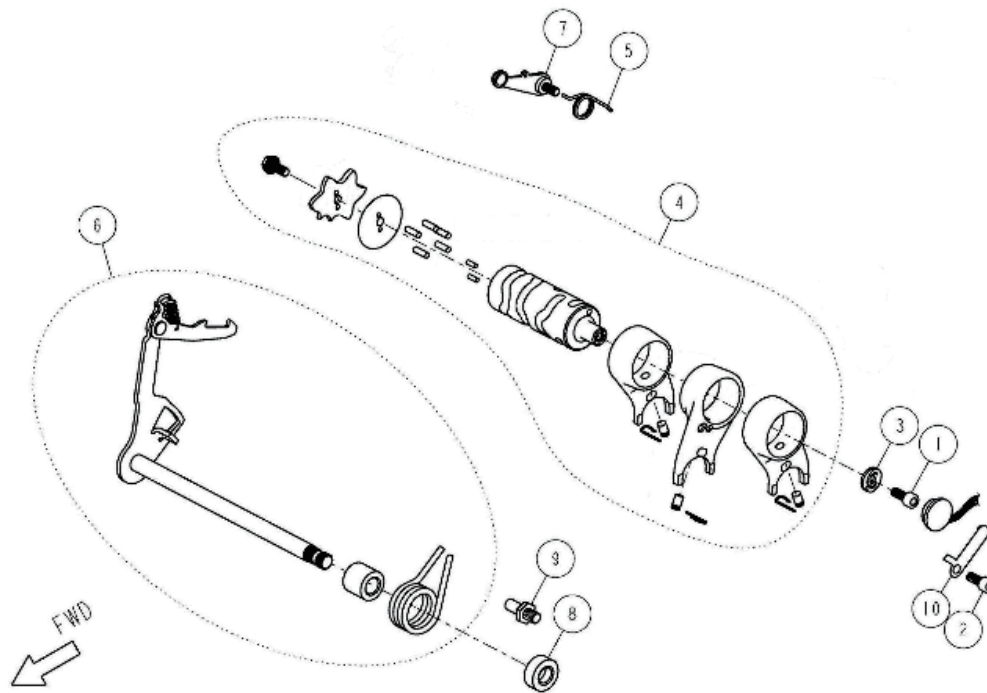
Ref No.	150FSM 4 SPEED	190FSM 4 SPEED	190FS5 5 SPEED	190FZ5 5 SPEED	190FE w/e-start	Part No.	DESCRIPTION	QTY
1	●	●	●	●	●	86446	BOLT, BANJO M10x22.5	2
2	●	●	●	●	●	88862	BOLT, HEXAGON FLANGE M6x115	1
3	●	●	●	●	●	86486	BOLT, HEXAGON FLANGE M6x15	2
4	●	●	●	●	●	86469	BOLT, HEXAGON FLANGE M6x22	2
5	●	●	●	●	●	86485	BOLT, HEXAGON FLANGE M6x28	2
6	●	●	●	●	●	86471	BOLT, HEXAGON FLANGE M6x30	2
7	●	●	●	●	●	86473	BOLT, HEXAGON FLANGE M6x50	2
8	●	●	●	●	●	86474	BOLT, HEXAGON FLANGE M6x55	1
9	●	●	●	●	●	83759	BOLT, HEXAGON FLANGE M6x60	1
10	●	●	●	●	●	86361	BOLT, HEXAGON FLANGE M6x90	1
11					●	88863	COVER, CLUTCH	1
11	●	●	●	●		86376	COVER, CLUTCH	1
12	●	●	●	●	●	86374	COVER, OIL FILTER	1
13	●	●	●	●	●	86377	COVER, SMALL CLUTCH	1
14	●	●	●	●	●	86384	FILTER, OIL	1
15	●	●	●	●	●	86437	GASKET, COVER CLUTCH	1
16	●	●	●	●	●	86476	GASKET, M10	4
17	●	●	●	●	●	86412	HOLDER, CABLE CLUTCH	1
18	●	●	●	●	●	86414	LEVER, CLUTCH COMP	1
19	●	●	●	●	●	86432	O-RING, $\Phi 38.6 \times 2.6$	1
20	●	●	●	●	●	86435	O-RING, COVER SMALL CLUTCH	1
21	●	●	●	●	●	86441	OIL SEAL, $\Phi 16 \times \Phi 26 \times 7$	1
22	●	●	●	●	●	86442	OIL SEAL, $\Phi 17 \times \Phi 10 \times 5$	1
23	●	●	●	●	●	86406	OIL THROUGH COMP	2
24	●	●	●	●	●	83747	PIN, DOWEL $\Phi 8 \times \Phi 6.3 \times 12$	4
25	●	●	●	●	●	86386	RULER	1
26	●	●	●	●	●	86413	SPRING, LEVER CLUTCH	1
27	●	●	●	●	●	86375	SPRING, OIL FILTER	1
28	●	●	●	●	●	86475	WINDOW, OIL LEVEL	1

GEARBOX



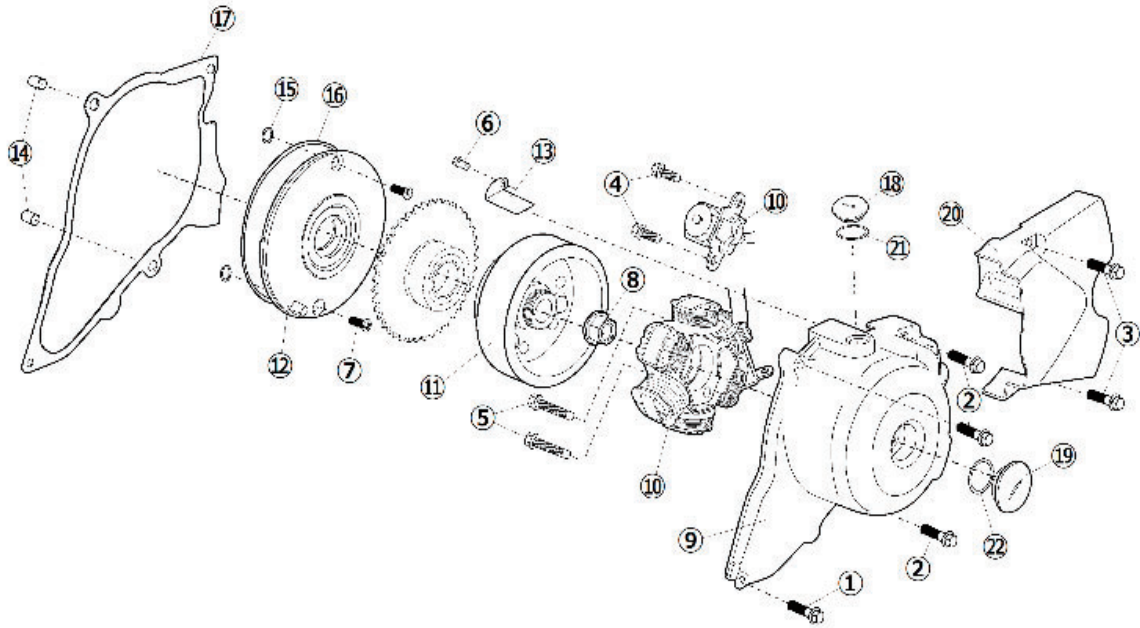
Ref No.	150FSM 4 SPEED	190FSM 4 SPEED	190FS5 5 SPEED	190FZ5 5 SPEED	190FE w/e-start	Part No.	DESCRIPTION	QTY
1	●	●	●	●	●	83788	BEARING #6001	1
2	●	●	●	●	●	83795	BEARING #6203	2
3	●	●	●	●	●	86454	BEARING NK152712	1
4	●	●	●	●	●	86464	BOLT, HEXAGON SOCKET M6x10	2
5	●	●	●	●	●	86418	GEAR IDLE, STARTER	1
6			●	●	●	89682	GEAR, COMP.	1
6	●	●				86919	GEAR, COMP.	1
7	●	●	●	●	●	83796	OIL SEAL, $\phi 29 \times \phi 17 \times 5$	1
8	●	●	●	●	●	86420	PLATE, FIXING SPROCKET DRIVE	1
9	●	●	●	●	●	86463	RETAINING RING $\phi 13.6$	1
10	●	●	●	●	●	86419	SPROCKET, DRIVE 15T	1
11	●	●	●	●	●	86455	WASHER, $\phi 22 \times \phi 15 \times 0.5$	2

GEARBOX MECHANISM



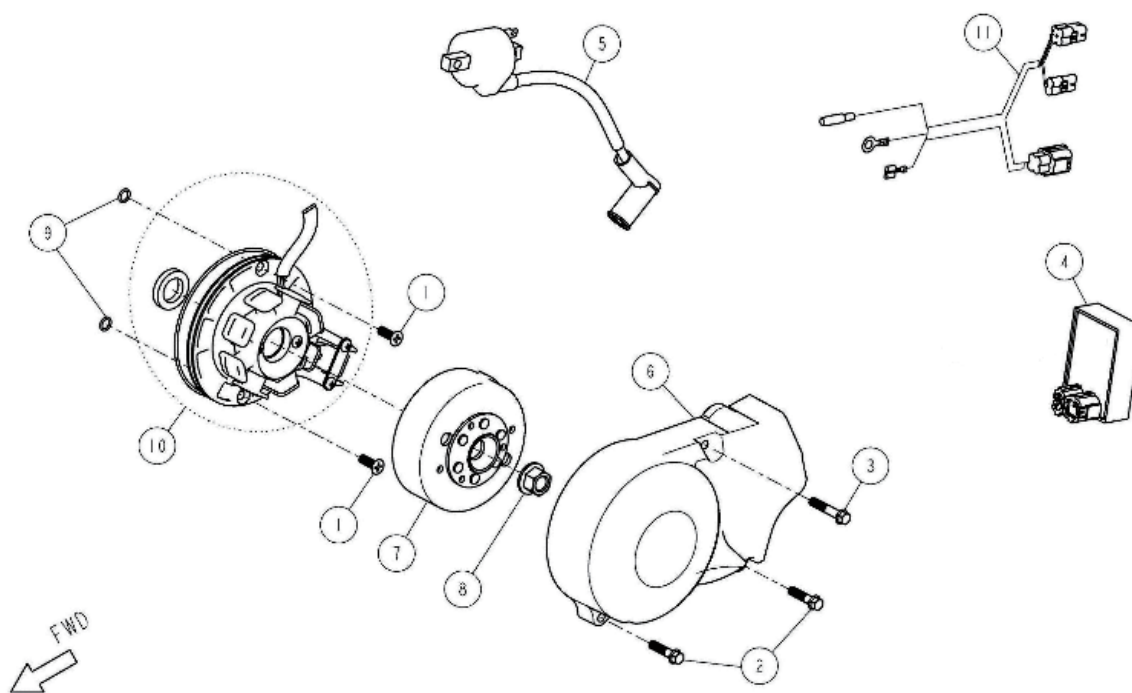
Ref No.	150FSM 4 SPEED	190FSM 4 SPEED	190FS5 5 SPEED	190FZ5 5 SPEED	190FE w/e-start	Part No.	DESCRIPTION	QTY
1	●	●	●	●	●	86449	BOLT, HEXAGON SOCKET M6	1
2	●	●	●	●	●	85877	BOLT, HEXAGON SOCKET M6x15	1
3	●	●	●	●	●	83833	CONTACT, GEAR INDICATION	1
4			●	●	●	88423	DRUM, SHIFT 1-N-2-3-4-5 COMP.	1
4	●	●				86421	DRUM, SHIFT N-1-2-3-4 COMP.	1
5			●	●	●	88424	SPRING, LOCATING PLATE	1
5	●	●				86423	SPRING, LOCATING PLATE	1
6			●	●	●	88886	LEVER, GEAR SHIFT COMP.	1
6	●	●				86915	LEVER, GEAR SHIFT COMP.	1
7	●	●	●	●	●	86424	LOCATING PLATE UNIT	1
8	●	●	●	●	●	83837	OIL SEAL, $\phi 11.6 \times \phi 24 \times 10$	1
9	●	●	●	●	●	86480	PIN, LOCATING SHIFT LEVER	1
10	●	●	●	●	●	85876	PLATE, LOCATING SWITCH NEUTRAL	1

GENERATOR



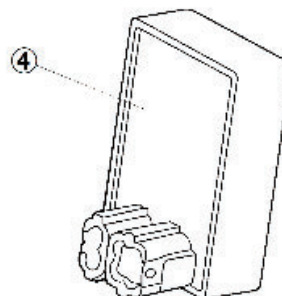
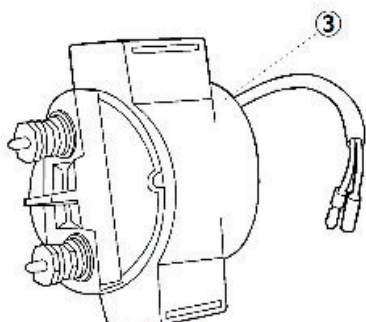
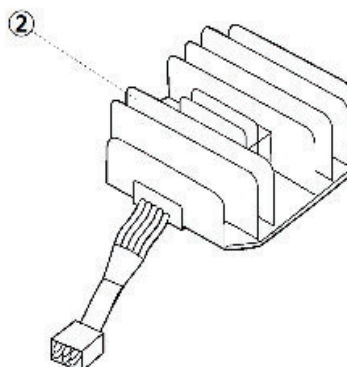
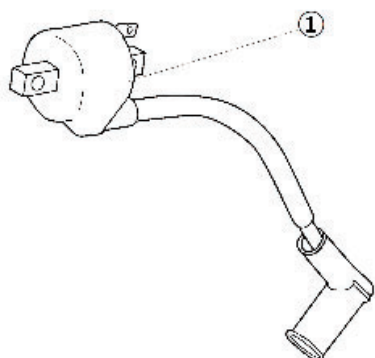
Ref No.	150FSM 4 SPEED	190FSM 4 SPEED	190FS5 5 SPEED	190FZ5 5 SPEED	190FE w/e-start	Part No.	DESCRIPTION	QTY
1					●	86470	BOLT, M6X25	1
2					●	88877	BOLT, M6X35	3
3					●	88881	BOLT, M6X28	2
4					●	88890	BOLT, M5X12	2
5					●	86470	BOLT, M6X25	2
6					●	88873	BOLT, M6X16	1
7					●	86461	BOLT, CROSS RECESSED COUNTERSUNK M6x15	2
8					●	88889	NUT	1
9					●	88878	MAGNET COVER(SHOT BLAST)	1
10					●	88425	STATOR ASSY MAGNETO	1
11					●	88887	ROTOR ASSY, MAGNET	1
12					●	88872	DISK INSULATOR	1
13					●	88874	FIXING PLATE	1
14					●	83747	PIN, DOWEL $\Phi 8 \times \Phi 6.3 \times 12$	2
15					●	86479	O-RING, $\Phi 6.5 \times \Phi 1.8$	2
16					●	84222	O-RING, $\Phi 110 \times \Phi 2.0$	1
17					●	88410	GASKET L.CRANKCASE COVER	1
18					●	88875	CAP, SMALL HOLE	1
19					●	88880	CAP, BIG HOLE	1
20					●	88882	SPROCKET COVER(SHOT BLAST)	1
21					●	88876	O-RING, 13.2X2.65	1
22					●	88879	O-RING, 27.4X2.65	1

GENERATOR



Ref No.	150FSM 4 SPEED	190FSM 4 SPEED	190FS5 5 SPEED	190FZ5 5 SPEED	190FE w/e-start	Part No.	DESCRIPTION	QTY
1	●	●	●	●		86461	BOLT, CROSS RECESSED COUNTERSUNK M6x15	2
2	●	●	●	●		86464	BOLT, HEXAGON FLANGE M6x25	2
3	●	●	●	●		86472	BOLT, HEXAGON FLNAGE M6x32	1
4						88130	CDI, FSM-12900RPM	1
4	●	●	●			89373	CDI, FSM-11500RPM	1
4				●		87348	C.D.I., FD-11500RPM-P3	1
5	●	●	●	●		86426	COIL, IGN ITION	1
6	●	●	●	●		86373	COVER, MAGNET	1
7	●	●	●			88127	ROTOR, 775 FSM	1
7				●		86431	ROTOR ASSY, MAGNETO	1
8	●	●	●	●		86452	NUT, MAGNET M12	1
9	●	●	●	●		86479	O-RING, $\phi 6.5 \times \phi 1.8$	2
10	●	●	●			88129	STATOR COIL, FSM	1
10				●		86430	STATOR ASSY, WITH LIGHT(CHARGE) SYSTEM	1
11				●		86428	WIRE HERNESS,	1
11	●	●	●			86917	WIRE HARNESS, W/O LIGHT(CHARGE) SYSTEM	1
12				●		87189	REGULATE RECTIFIER	1

ELECTRICAL COMPONENT



Ref No.	150FSM 4 SPEED	190FSM 4 SPEED	190FS5 5 SPEED	190FZ5 5 SPEED	190FE w/e-start	Part No.	DESCRIPTION	QTY
1					●	86426	COIL, IGN ITION	1
2					●	88896	RECTIFIER	1
3					●	88897	RELAY	1
4					●	88895	CDI	1
OP					●	89416	WIRE HERNESS	(1)

